

## Roswell



### Functional Specifications

RF air protocol	EPC Class 1 Gen 2; ISO18000-6C
Operating frequency	UHF 902-928 MHz (US); 866-868 MHz (EU)
IC type	Alien Higgs-3
Memory configuration	96-bit EPC ; 512-bit user memory; 64-bit TID
Functionality	Read / write
Memory – expected read / write cycles	100,000 cycles at 77°F (25°C)
Data retention	Up to 50 years <sup>1</sup>
Warranty (limited)	1 year

### Performance Characteristics

Read range on metal [2W ERP] <sup>2</sup>	Up to 16.4 ft (5 m)
Polarization	Linear

### Physical Specifications

Material	Aluminum 6061-T6
Attachment	Cable tie, rivet hole ø 0.19 in (ø 5 mm)
Color	Dark grey

### Environmental and Industry Compliance

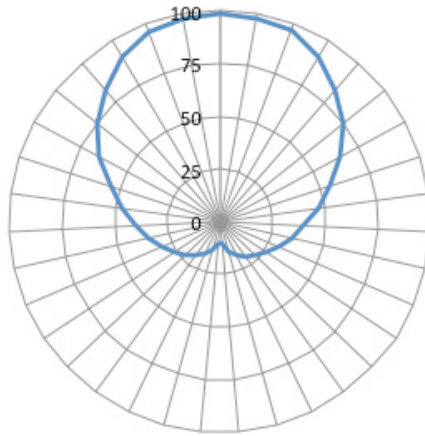
RoHS&REACH	EU Directive 2011/65/EU, EC1907/2006
CE	Yes
ATEX/IECEX	Certified



<sup>1</sup> The chip data retention is based on chip operating under general environment conditions.

<sup>2</sup> Actual read range may vary based upon use case and antenna power.

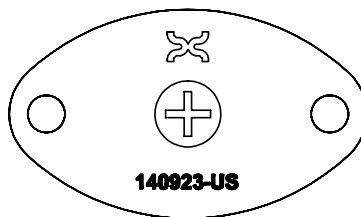
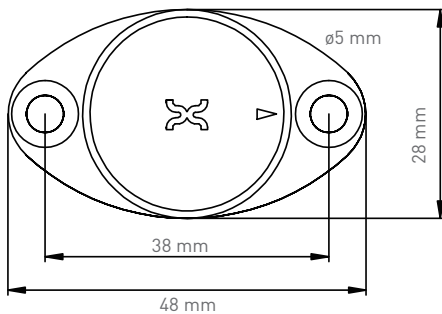
**Radiation Pattern**



**Operational and Environmental Specifications**

Operational temperature	
Cold	-40°F (-40°C)
Dry heat (Long term, days/weeks/years)	+185°F (+85°C)
Application temperature	
Cold	-40°F (-40°C)
Dry heat (Short term, minutes/hours)	+482°F (+250°C)
Temperature cycling testing	6 hours at +250°C, 18 hours cool-down, 30 days test cycle
Humidity	
Operational humidity	5%-95% non-condensing
Storage humidity	5%-95% non-condensing
Compression strength	115 psi (793 kPa)
Drop	3 ft (1 m) to concrete/granite up to 100 cycle
Vibration	MIL-STD-810G
IP classification	IP69K

**Product Dimensions and Weight**



Dimensions / tolerance (mm)	48 x 28 x 13.5 (+/- 0.5)
Dimensions / tolerance (in)	1.89 x 1.10 x 0.53 (+/- 0.02)
Weight / tolerance	0.74 oz / 21 g (+/- 10%)

## Order information

X1114-US101-H3	Roswell w/ Bracket US
X1114-EU101-H3	Roswell w/ Bracket EU